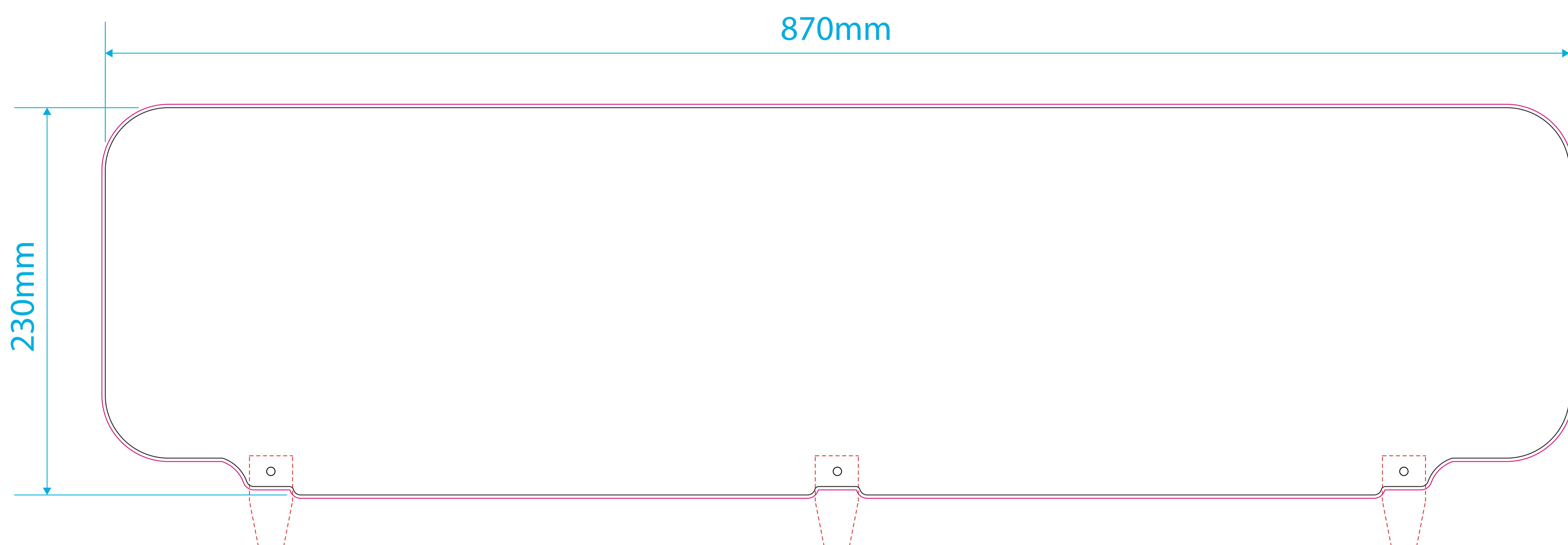


Sentinel A0 Tactical Header Artwork Template

Artwork guideline - PLEASE READ

- Must be supplied in **CMYK**
- **Embed** all images min 100% at 300dpi.
- All fonts must be converted to **outlines**.
- With crop marks
- 3mm or 5mm bleed, refer to template
- Resolution must be **300dpi**.
- Supply artwork as high resolution **PDF** or **JPEG**.
- Specify **Pantone** colours for **screen print**.
- Convert all spot colours to process **CMYK**. (Pantone matching cannot be guaranteed)
- Set artwork at **100%*** scale at 300dpi.
- *If file size is a problem for **large format printing** only, we can accept artwork at 300dpi at 25% scale of final output size.
- All visible template guides removed before uploading print-ready PDF artwork file.



Template guidelines - PLEASE READ

DELETE or HIDE this template guide from your artwork before sending us your artwork.

— The **Black** keyline = Finished cut size of the product..

— The **Pink** keyline = Your background must extend to this bleed line.

- - - The **Red** dashed keyline = Indicates where the clips are positioned.
Keep important information out of this area.